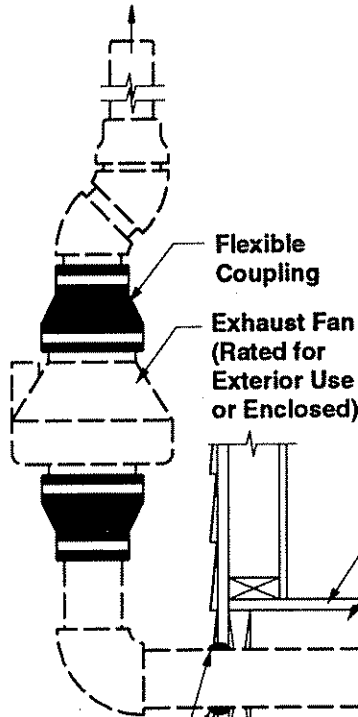


**Exhaust Option 2**

**Exhaust Released Above Eave**



**Notes:**

1. The specific configuration depicted for the pipe penetration through the membrane is one of a number of alternatives. Other options are shown in a later figure.
2. The membrane seams must always be sealed near the suction point. Sealing of more remote seams may not always be necessary, but is advisable.
3. The membrane can often be effectively sealed against the foundation wall using a continuous bead of properly selected sealant (urethane caulk for cross-laminated polyethylenes, other adhesive for regular polyethylenes). Other options for sealing the membrane against the wall are discussed in text.

**Exhaust Option 1**

**To Exhaust Fan Mounted in Attic**

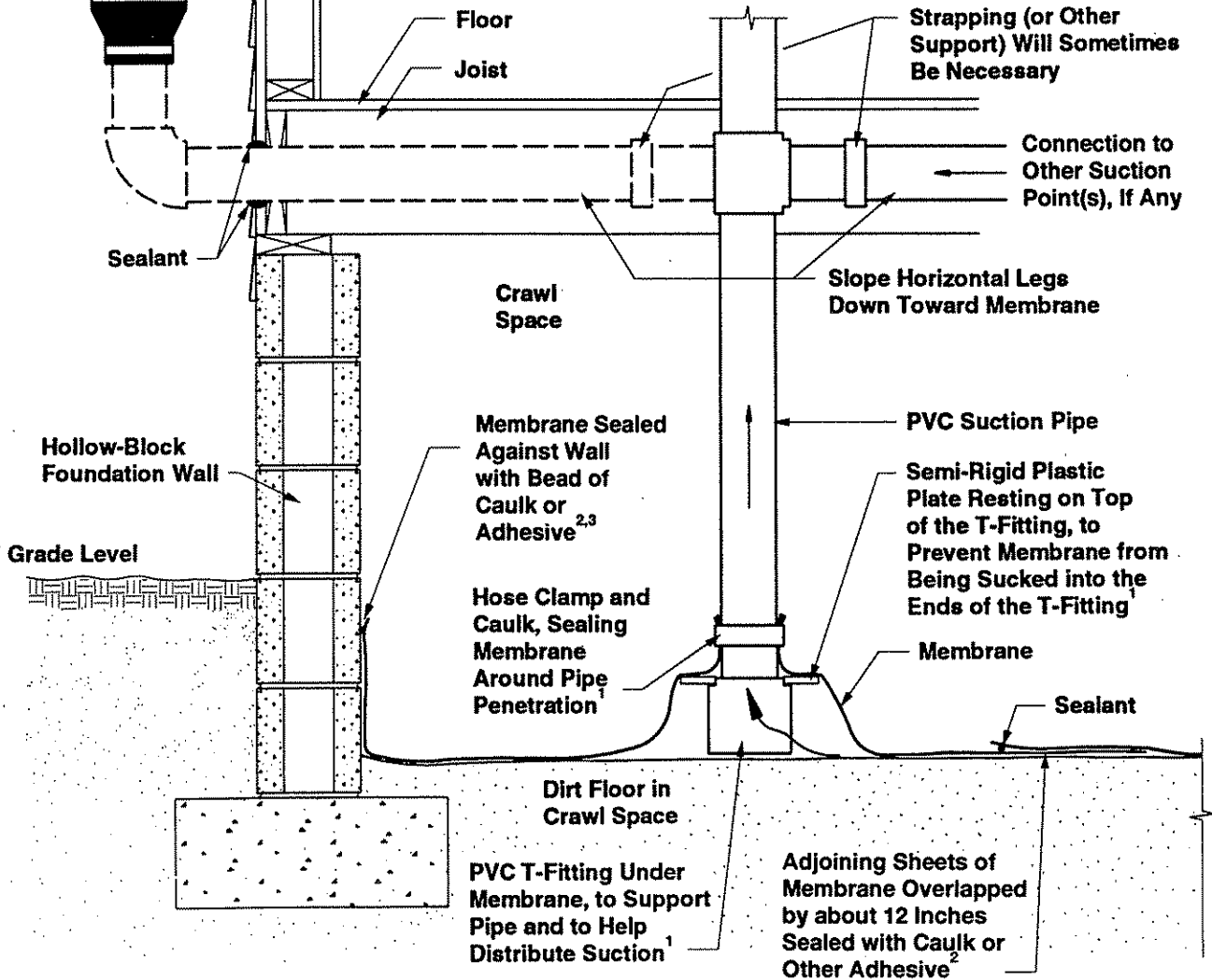


Figure 6. Sub-membrane depressurization (SMD) for the case where individual suction pipes penetrate the membrane (SSD analogue).